



Douche Bidet Kit



655TW 0315GF

Before you Start



These instructions contain all the necessary installation information for your MX Douche Bidet Kit.
Please read these instructions carefully and check all the components for any sign of damage before starting your installation.



The installation must be carried out by a suitably competent person.



Conveniently situated service valves to the inlet supply must be fitted as an independent method of isolating the unit for maintenance or servicing.



Please note that you may require 13mm copper pipe and fittings to install the unit. (NOT SUPPLIED)



Once the supply pipe work has been fitted flush through to remove any debris form entering the valve and spray head.



Operating Pressures (Bar)

	Min	Max
Basin Taps	0.2	5.0

Maximum static water pressure for this unit is 10 bar.



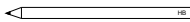
Technical Help

Technical Service Line: 0845 505 2211 / 01684 293311 Open Mon–Fri 9am–5pm

Tools and Materials Required **(not supplied)**



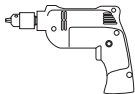
Suitable Drill Bits



Pencil



Safety Eyewear



Power Drill



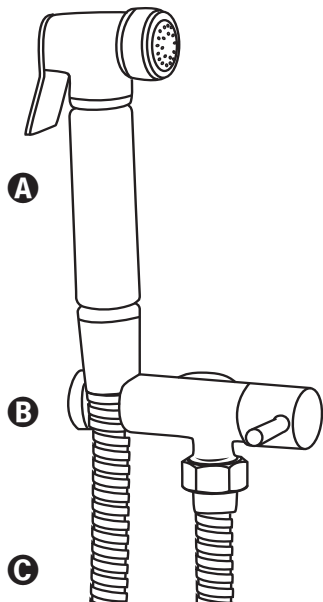
Adjustable Spanner

Safety Notes

Caution: Prior to drilling walls, check that there are no hidden electrical cables or water pipes. When using power tools do not forget to use safety eyewear and clothing. Unplug power tools when not being used.



Parts Supplied - Douche Bidet Kit



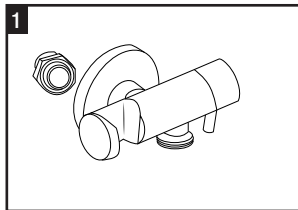
A Handset x 1

B Hose x 1

C Valve with built in
bracket x 1

Installation – Douche Bidet Kit

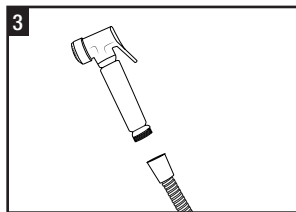
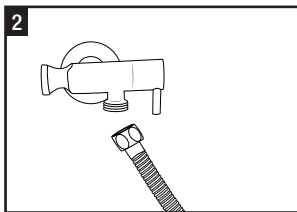
- 1** Having established the position of the valve so that the controls can be comfortably reached whilst in use.
- 2** The supply pipe work can be plumbed from the inlet pipe to the toilet or any other suitable supply. The pipe work can be exposed or concealed and must finish with a suitable 1/2" BSP female fitting (Not supplied)
- 3** **Note: Easily accessible service valve should be fitted for maintenance.**
- 4** After flushing pipe work fit valve to 1/2" BSP female fitting. **(fig.1)** For concealed option insure shroud is fitted to thread.



Note! Other tools and materials may be needed depending on the specific site requirements.

Installation – Douche Bidet Kit

- 5** Connecting the hose and spray head. Connect the hexagon nut to the outlet of the valve making sure the sealing washer is in place. **(fig.2)** Screw remaining cone nut to the thread of the spray head again making sure the sealing washer is fitted. **(fig.3)**



- 6** Commissioning of Unit. a) Turn on water and check for leak. b) Check inlet connection. c) Turn on valve and check hose connections. d) Turn on spray head check water spray.

Note: Always turn of valve when not in use.



Marleton Cross Limited Trading as **The MX Group**
Alpha Close, Delta Drive, Tewkesbury Industrial Estate, Tewkesbury, Glos. GL20 8JF.
www.mx-group.com email: sales@mx-group.com
655TW_03_15_GF

Product supplied by the MX Group and/or its subsidiaries
Technical Service Line: 0845 505 2211 / 01684 293311 Open Mon–Fri 9am–5pm