

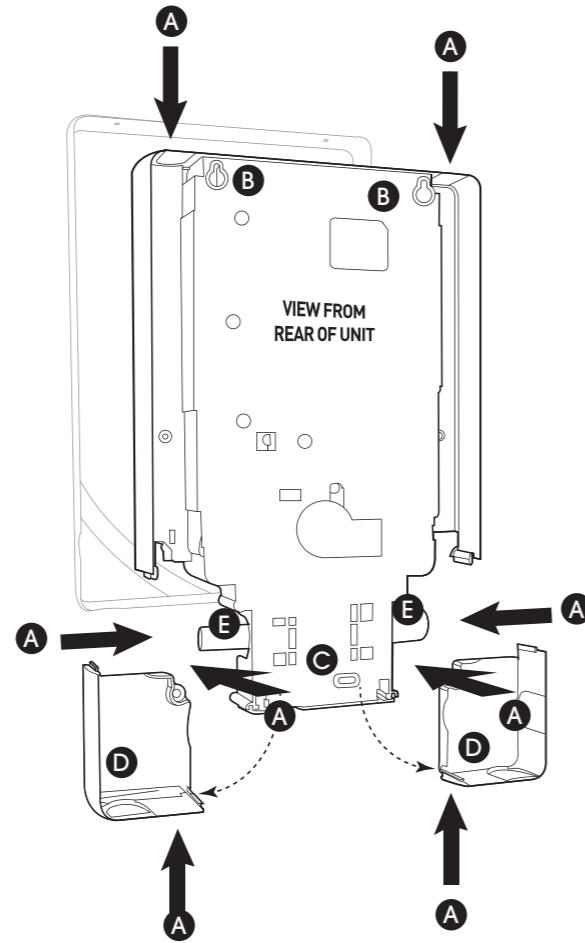
# Electric Showers

MX Group QI Electric Showers cover the footprint of most electric showers.

All MX Group QI Electric Showers are designed for quick installation with 8 entry points for water and electric creating a simple and quick installation.

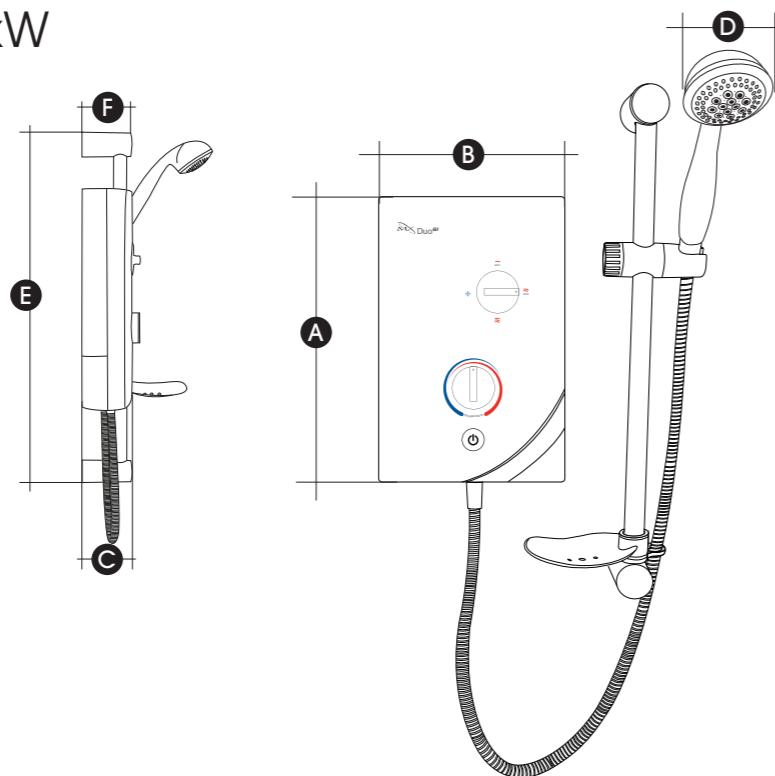
## Quick Installation Shower - rear view

- A** Water electrical entry points;
  - Top right
  - Top left
  - Bottom right
  - Bottom left
  - Right side
  - Left side
  - Rear right
  - Rear left
- B** Location holes for mounting
- C** Bottom fixing position
- D** Removable cover plate for left or right & bottom inlets, accessible after cover plate is removed. These simply slide into place before cover is replaced.
- E** Water inlet (left hand water entry has sealing cap & clip for use on either side.)



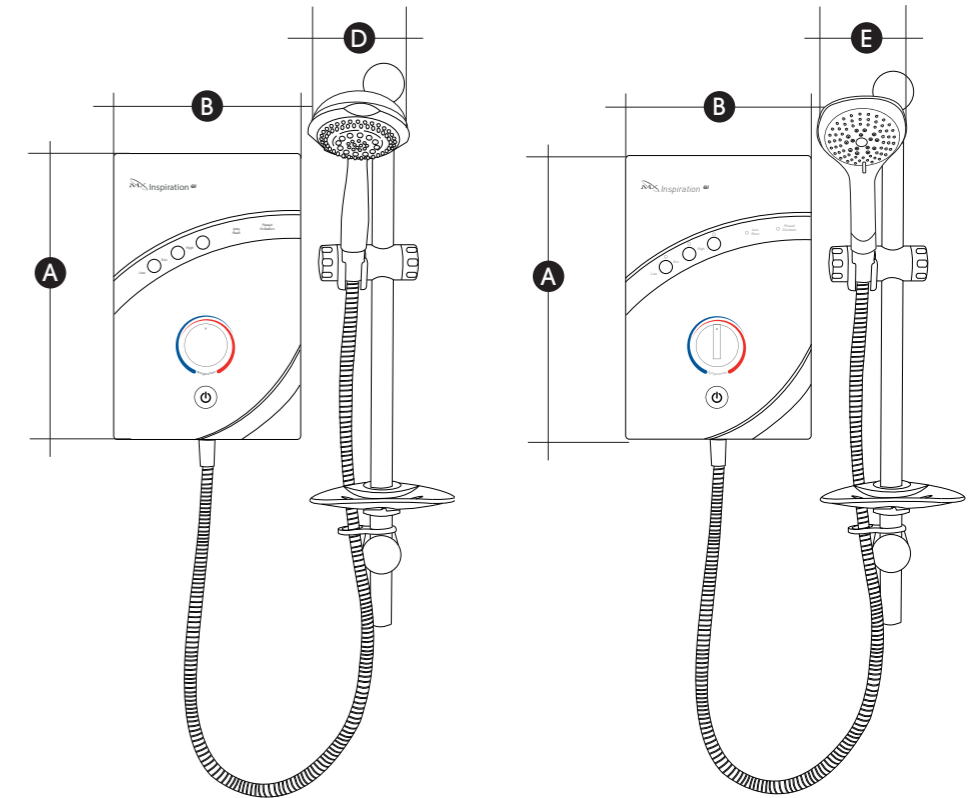
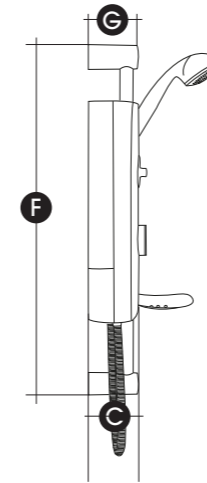
## Duo QI - White & Chrome 7.5kW, 8.5kW & 9.5kW

- A** Unit height: 325mm
- B** Unit width: 210mm
- C** Unit depth: 65mm
- D** Showerhead dia: 90mm
- E** Riser rail height: 575mm
- F** Riser rail depth: 65mm



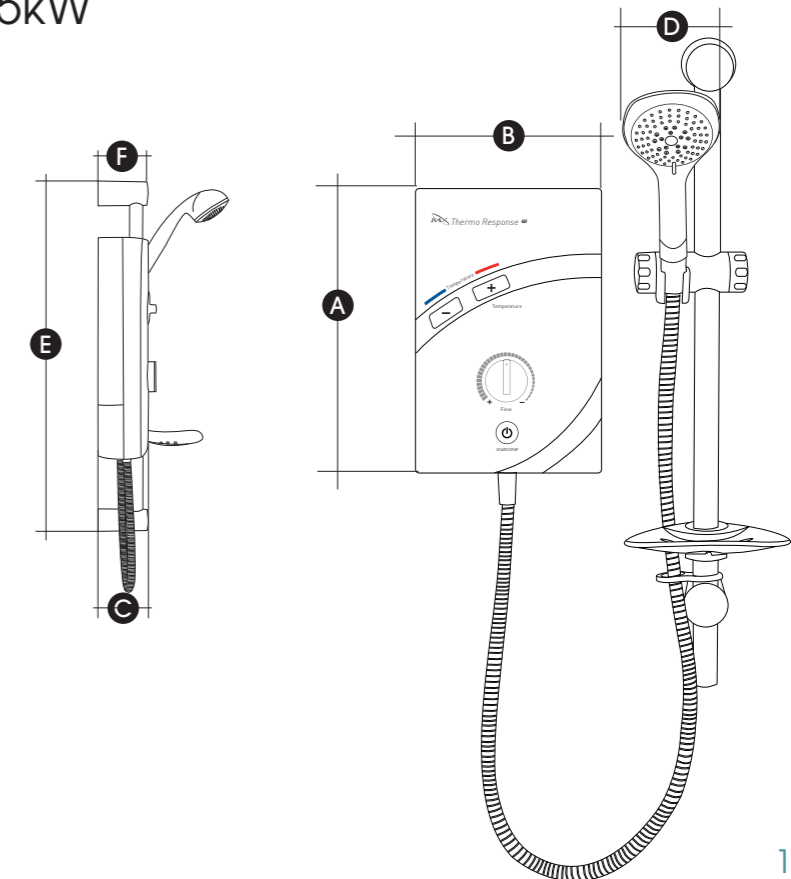
## Inspiration QI - White & Chrome 8.5kW, 9.5kW & 10.5kW

- A** Unit height: 325mm
- B** Unit width: 210mm
- C** Unit depth: 65mm
- D** Showerhead dia: 100mm
- E** Showerhead dia: 115mm
- F** Riser rail height: 715mm
- G** Riser rail depth: 65mm



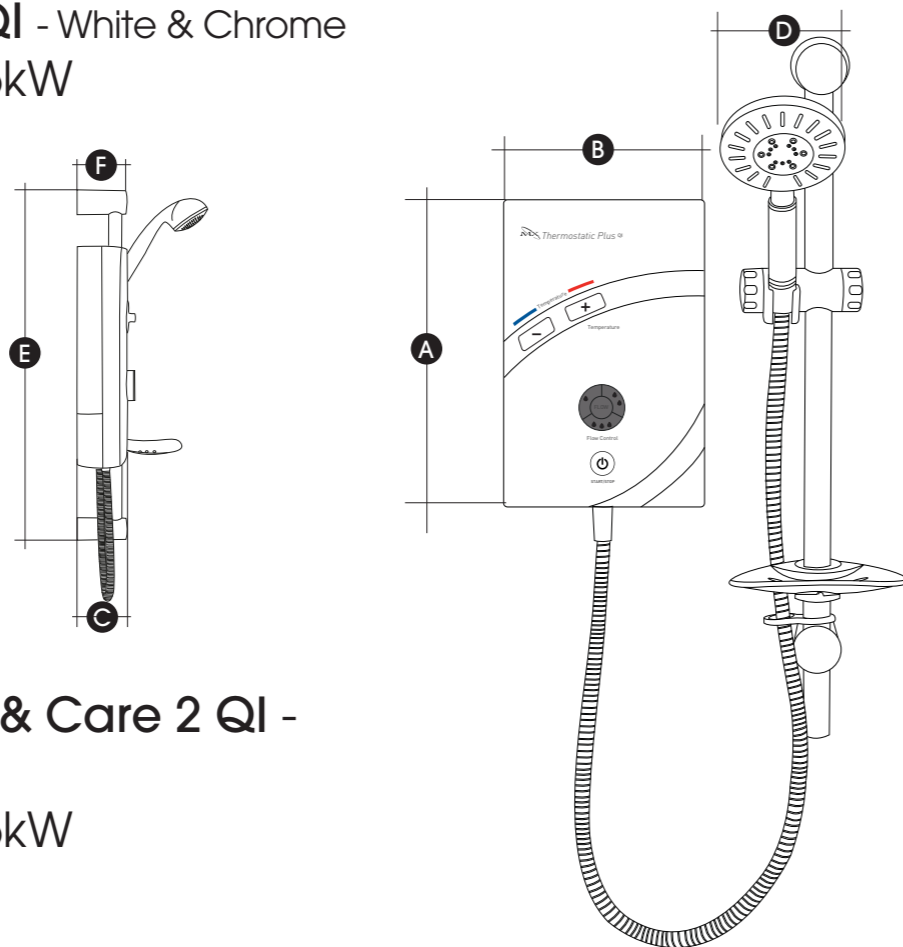
## Thermo Response QI - White & Chrome 8.5kW, 9.5kW & 10.5kW

- A** Unit height: 325mm
- B** Unit width: 210mm
- C** Unit depth: 65mm
- D** Showerhead dia: 115mm
- E** Riser rail height: 715mm
- F** Riser rail depth: 65mm



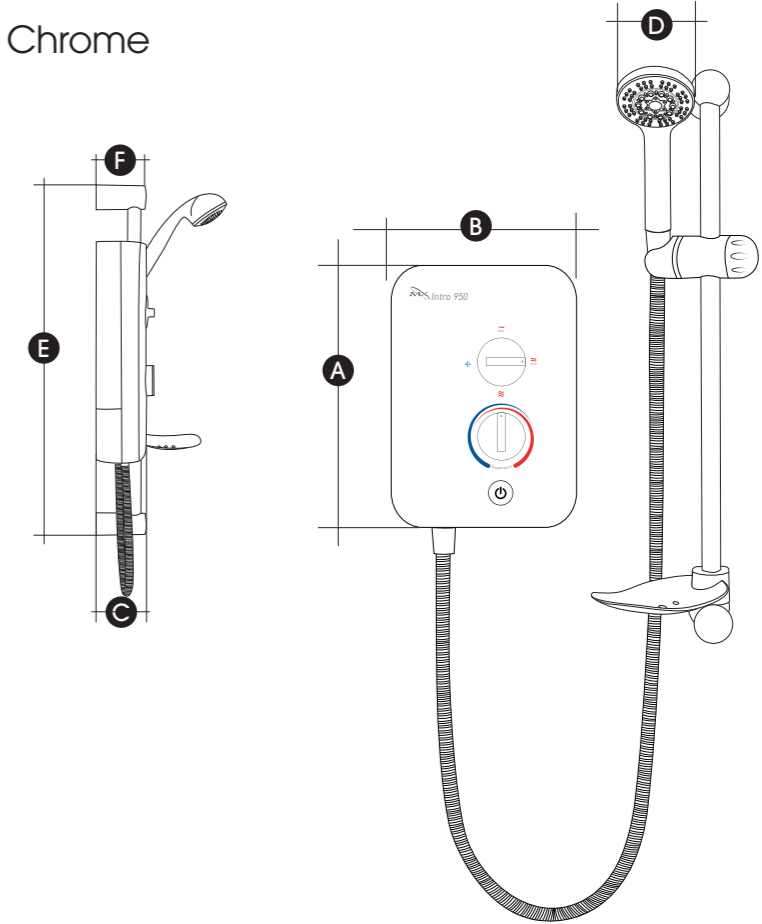
## Thermostatic Plus QI - White & Chrome 8.5kW, 9.5kW & 10.5kW

- A** Unit height: 325mm
- B** Unit width: 210mm
- C** Unit depth: 65mm
- D** Showerhead dia: 120mm
- E** Riser rail height: 715mm
- F** Riser rail depth: 65mm



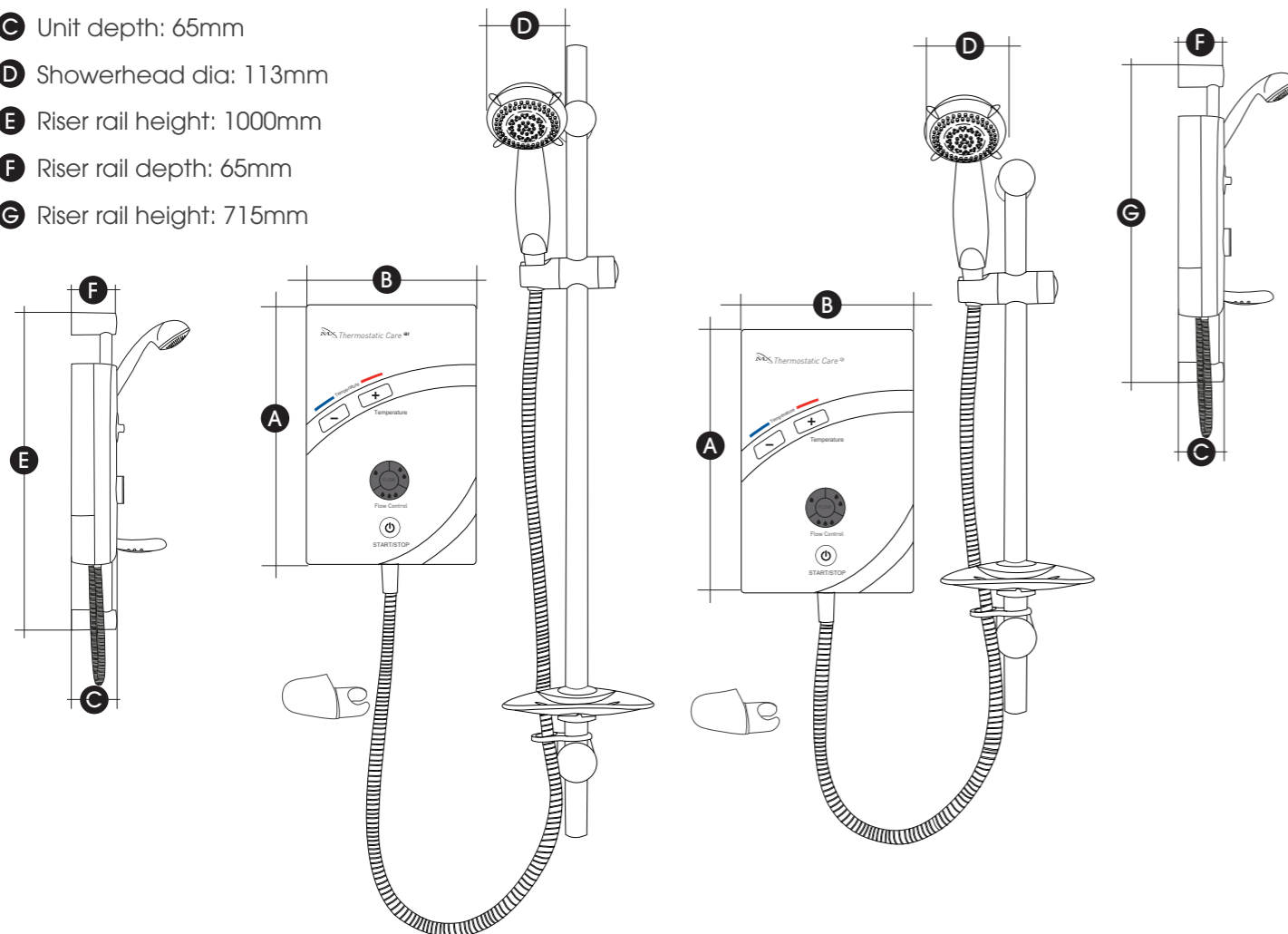
## Intro 850/950 - White & Chrome 8.5kW & 9.5kW

- A** Unit height: 325mm
- B** Unit width: 210mm
- C** Unit depth: 65mm
- D** Showerhead dia: 83mm
- E** Riser rail height: 535mm
- F** Riser rail depth: 65mm



## Thermostatic Care & Care 2 QI - White & Chrome 8.5kW, 9.5kW & 10.5kW

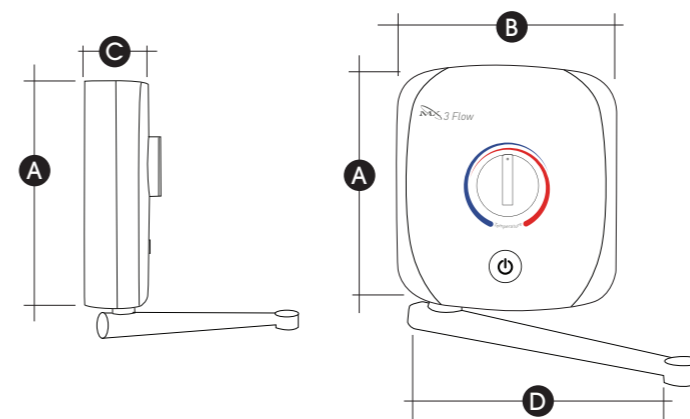
- A** Unit height: 325mm
- B** Unit width: 210mm
- C** Unit depth: 65mm
- D** Showerhead dia: 113mm
- E** Riser rail height: 1000mm
- F** Riser rail depth: 65mm
- G** Riser rail height: 715mm



# Handwash Units

## 3 Flow Handwash - 3.5kW

- A** Unit height: 190mm
- B** Unit width: 170mm
- C** Unit depth: 65mm
- D** Swivel Spout: 200mm



## 3 Sense Handwash - 3.5kW

- A** Unit height: 190mm
- B** Unit width: 170mm
- C** Unit depth: 65mm
- D** Swivel Spout: 200mm

