



**Traditional**

***Brassware***

***Traditional Range***



# Before you Start



These instructions contain all the necessary installation information for your MX Brassware.

**Please read these instructions carefully and check all the components for any sign of damage before starting your installation.**

The installation must be carried out by a suitably competent person.

Conveniently situated service valves to each inlet supply must be fitted as an independent method of isolating the tap(s) for maintenance or servicing.



**Please note that you may require both 1/2" and 3/4" tap connectors (NOT SUPPLIED)**

To comply with water regulations isolating valve should be fitted to the pipe work.

This enables each supply to be independently isolated for servicing.



## Operating Pressures (Bar)

	Min	Max
<b>Basin Taps</b>	0.2	5.0
<b>Bath Taps</b>	0.2	5.0
<b>Mono Mixer</b>	0.2	5.0
<b>Bath Filler</b>	0.2	5.0
<b>*Bath Shower Mixer</b>	0.2	5.0

\*Balanced inlet supply pressures are recommended for optimum performance of the shower mixer.

Maximum static water pressure 10 bar.

Maximum hot water temperature of 65°C as this meets all normal requirements.



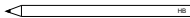
## Technical Help

Technical Service Line: 0845 505 2211 / 01684 293311 Open Mon–Fri 9am–5pm

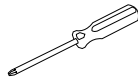
# Tools and Materials Required **(not supplied)**



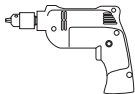
Tap Spanner



Pencil



Screwdriver



Power Drill



Adjustable Spanner



Safety Eyewear



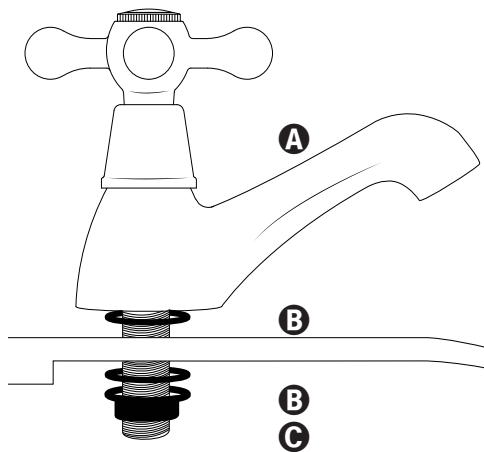
Suitable Drill Bits

## Safety Notes

**Caution:** Prior to drilling walls, check that there are no hidden electrical cables or water pipes. When using power tools do not forget to use safety eyewear and clothing. Unplug power tools when not being used.



## Parts Supplied - 1/2" Cross Head Basin Taps



**A** Tap x 2

**B** Washer x 4

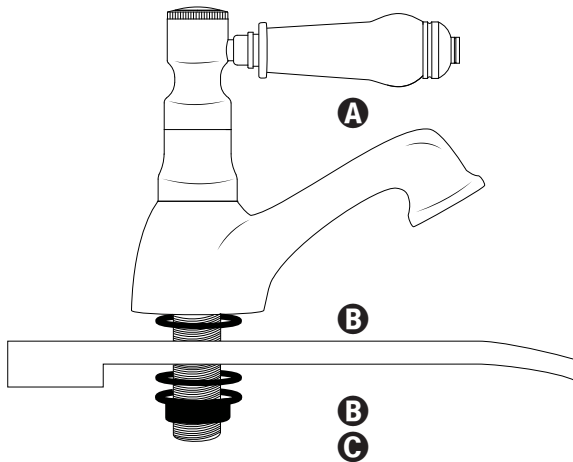
**C** Backnut x 2

# Installation – 1/2” Cross Head Basin Taps

- 1** Before proceeding with the installation check all the components are present and not damaged (**see page parts supplied**).
  - 2** Remove backnut **C** and one washer **B** from tap thread.
  - 3** Install tap **A** to basin.
  - 4** Using washer **B** and backnut **C** assemble the taps to basin by tightening the backnuts **C**. A tap spanner maybe required.
  - 5** Connect both hot and cold supplies to taps **A**.
- Note: Tap connectors not supplied.**
- 6** Turn on water supplies and check for leaks.

Note! Other tools and materials may be needed depending on the specific site requirements.

# Parts Supplied - 1/2" Lever Bath Taps



**A** Tap x 2

**B** Washer x 4

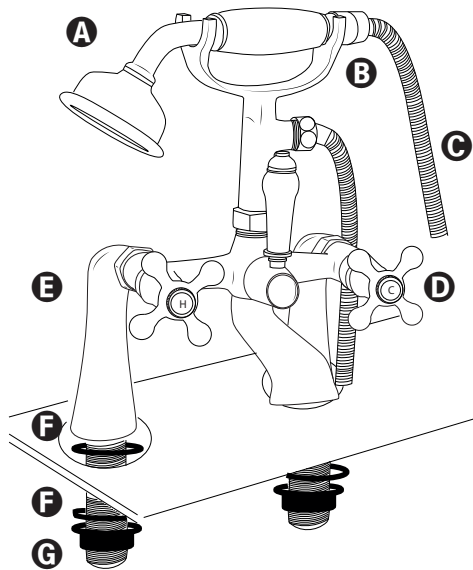
**C** Backnut x 2

# Installation – 1/2” Lever Bath Taps

- 1** Before proceeding with the installation check all the components are present and not damaged (**see page parts supplied**).
  - 2** Remove backnut **C** and one washer **B** from tap thread.
  - 3** Install tap **A** to bath.
  - 4** Using washer **B** and backnut **C** assemble the taps to bath by tightening the backnuts **C**. A tap spanner maybe required.
  - 5** Connect both hot and cold supplies to taps **A**.
- Note: Tap connectors not supplied.**
- 6** Turn on water supplies and check for leaks.

Note! Other tools and materials may be needed depending on the specific site requirements.

# Parts Supplied - 3/4" Bath Shower Mixer with Shower Kit



**A** Handset x 1

**B** Handset Cradle x 1

**C** Shower Hose x 1

**D** Bath Mixer x 1

**E** Inlet Arms x 2

**F** Washer x 4

**G** Backnut x 2

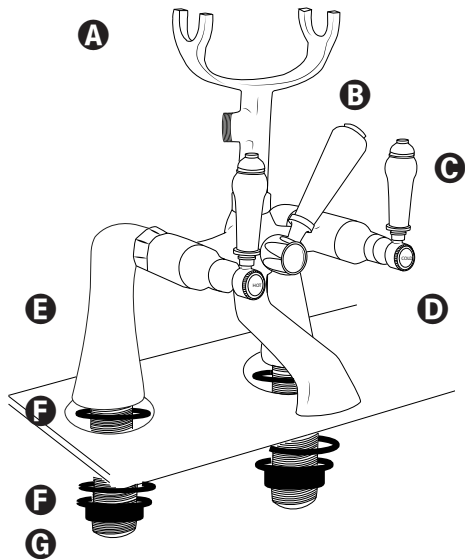


# Installation – 3/4" Bath Shower Mixer with Shower Kit

- 1** Before proceeding with the installation check all the components are present and not damaged (see page parts supplied).
- 2** Assemble the inlet arms **C** to the main body ensuring sealing washer are fitted.  
**Note: Do Not Overtighten.**
- 3** Remove both backnuts **G** and one washer **F** from each of the inlet threads.
- 4** Install bath mixer shower **D** to bath.
- 5** Using washers **F** and backnuts **G** assemble the bath mixer shower **D** to the bath by tightening the backnuts **G**. A tap spanner may be required.
- 6** Connect both hot and cold supplies to inlet thread.  
**Note: This connections require 3/4" tap connectors not supplied.**
- 7** Assemble the handset cradle **B** to the main body with the outlet pointing in the desired direction, tighten the nut ensuring the sealing washer is fitted.  
**Note: Do Not Overtighten.**
- 8** Fit one end of the shower hose **C** to the mixer outlet and the remaining to the handset **A** making sure both sealing washers are fitted.
- 9** Turn on water supplies and check for leaks.
- 10** To change from bath to shower mode simply use the diverter, operated by turning the ceramic lever left or right.

Note! Other tools and materials may be needed depending on the specific site requirements.

# Parts Supplied - 3/4" Lever Bath Shower Mixer with Shower Kit



**A** Handset x 1

**B** Handset Cradle x 1

**C** Shower Hose x 1

**D** Bath Mixer x 1

**E** Inlet Arms x 2

**F** Washer x 4

**G** Backnut x 2

# Installation – 3/4" Lever Bath Shower Mixer with Shower Kit

- 1** Before proceeding with the installation check all the components are present and not damaged (see page parts supplied).
- 2** Assemble the inlet arms **C** to the main body ensuring sealing washer are fitted.  
**Note: Do Not Overtighten.**
- 3** Remove both backnuts **G** and one washer **F** from each of the inlet threads.
- 4** Install bath mixer shower **D** to bath.
- 5** Using washers **F** and backnuts **G** assemble the bath mixer shower **D** to the bath by tightening the backnuts **G**. A tap spanner maybe required.
- 6** Connect both hot and cold supplies to inlet thread.  
**Note: This connections require 3/4" tap connectors not supplied.**
- 7** Assemble the handset cradle **B** to the main body with the outlet pointing in the desired direction, tighten the nut ensuring the sealing washer is fitted.  
**Note: Do Not Overtighten.**
- 8** Fit one end of the shower hose **C** to the mixer outlet and the remaining to the handset **A** making sure both sealing washers are fitted.
- 9** Turn on water supplies and check for leaks.
- 10** To change from bath to shower mode simply use the diverter, operated by turning the ceramic lever left or right.

Note! Other tools and materials may be needed depending on the specific site requirements.



Marleton Cross Limited Trading as **The MX Group**  
Alpha Close, Delta Drive, Tewkesbury Industrial Estate, Tewkesbury, Glos. GL20 8JF.  
[www.mx-group.com](http://www.mx-group.com) email: [sales@mx-group.com](mailto:sales@mx-group.com)  
655TT\_11\_16\_CH

Product supplied by the MX Group and/or its subsidiaries  
Technical Service Line: 0845 505 2211 / 01684 293311 Open Mon–Fri 9am–5pm