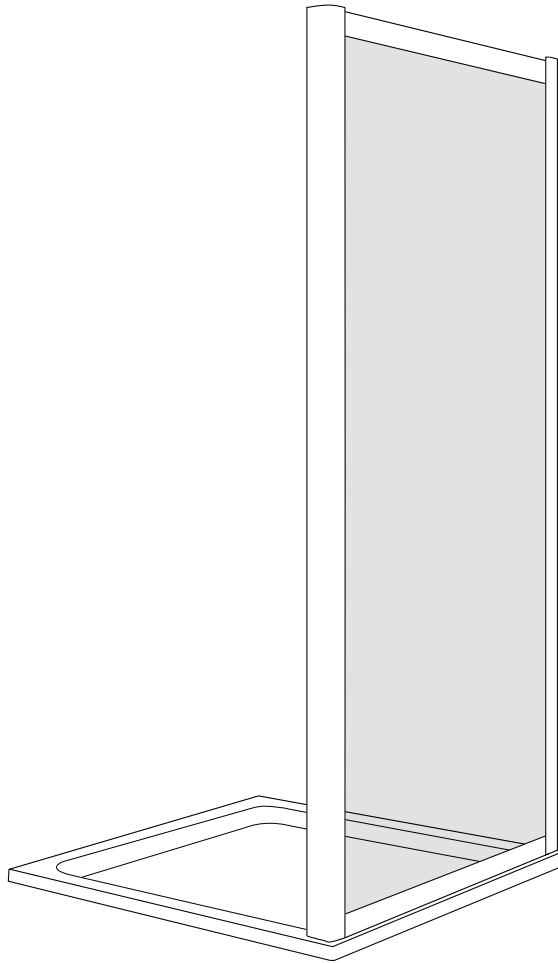


Installation Guide

Framed Side Panel for Telescopic Doors



226MBE 0914RN

Before you Start



Please read this Installation Guide fully. Although these instructions are comprehensive we always recommend that a technically competent installer undertake the installation, as incorrect fitting will invalidate the guarantee.

Unpack with care and check that the enclosure is the correct colour, size, shape and type you require. Ensure that you have all the parts listed as supplied and check for any damage. **Do not install if you are not satisfied** and contact your local supplier.



Important

Ensure the location where you wish to fit the enclosure is suitable. Check there are no electrical cables or pipe work behind the wall. Ensure you have a clean dry area to work within before starting.

The fixings provided for this enclosure are for use on solid walls only. If the enclosure is to be fitted on another type of wall such as plasterboard or stud walls, appropriate fixings should be used and additional tools, fixings or materials may be required.

Ensure that the shower tray installed is level and the walls are vertical, as the enclosure will not sit correctly on an uneven surface. The enclosure can also be used in a wetroom subject to the provision of a periphery area that is flat and level.

Once installed do not use the enclosure for 24 hours to allow the silicone to fully dry.



This product is designed to be used with square or rectangular trays only. The adjustment on this panel is 20mm at the wall bracket.



Safety Notes

Please ensure appropriate safety flooring is used as it is normal for spillage to occur when exiting from the shower.

Use safety eyewear and clothing when drilling walls and handling glass. Handle with care, safety glass cannot be re-worked or replaced by ordinary glass.

This product is heavy and requires a 2-person lift.

Keep small parts away from children.



Cleaning

The enclosure must only be cleaned with warm soapy water and a damp cloth or sponge. Abrasive, caustic or scouring products must not be used as these will damage the surfaces of the enclosure.



Technical Help

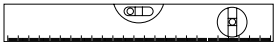
Technical Service Line: 0845 505 2211 / 01684 293311 Open Mon–Fri 9am–5pm



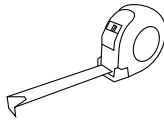
All dimensions shown are in millimetres unless otherwise stated.

Tools and Materials Required

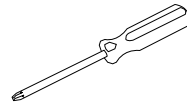
(not supplied)



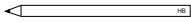
Spirit Level



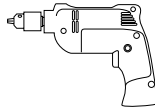
Tape Measure



Screwdriver



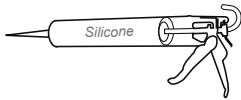
Pencil



Power Drill



Suitable Drill Bits



Silicone Sealant



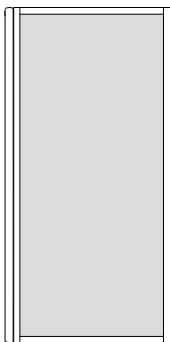
Utility Knife



Safety Eyewear

Parts Supplied

A



Qty 1

Fully Assembled Side Panel

B



Qty 6

12mm Screws

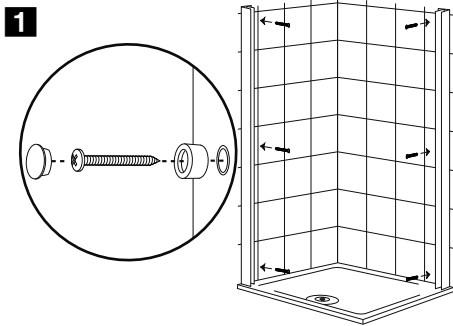
C



Qty 1

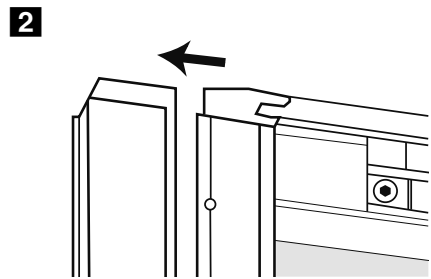
Screw Cover Strip

Installation

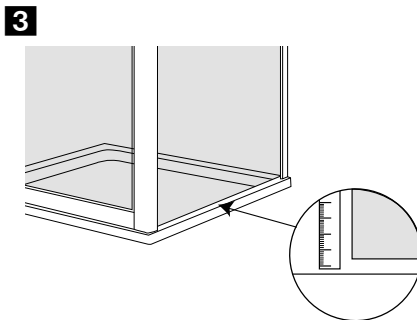


Fix both wall brackets provided with your door to the walls using a 6mm drill bit then fit rawl plugs and 40mm screws or appropriate fixings for your wall type.

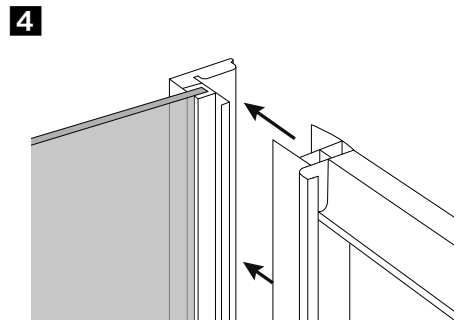
Note! Wall brackets must be installed in accordance with the instructions supplied with your door.



Lift side panel into position by sliding over wall bracket which is now fixed to the far wall. Now lift door assembly and slide over wall bracket fixed to the near wall.



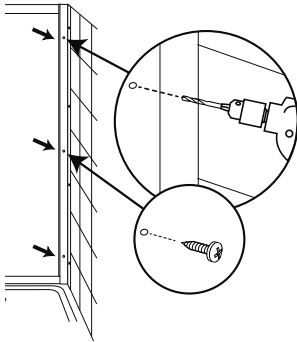
Ensure side panel & door are both at a straight angle across the edge of the shower tray by using a ruler.



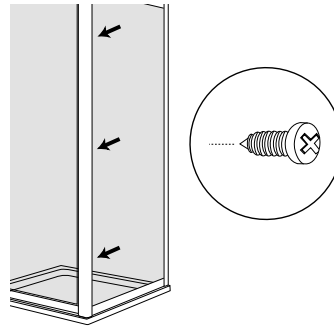
Once the door and side panel are in a satisfactory position locate the door profile into the side panel profile as shown.

Installation

5



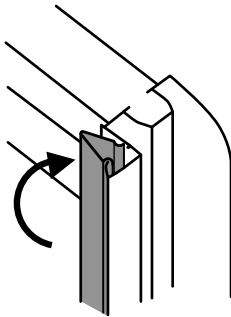
6



Drill three holes in side panel wall bracket from the inside of the enclosure with a 2.5mm drill bit. Then screw the enclosure assembly through the frame to join to the wall bracket using three 12mm screws **B**

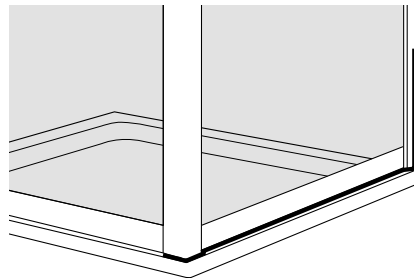
Secure door and side panel together at corner post using three 12mm **B** screws in the pre-drilled holes.

7



Snap the screw cover strip **C** into position covering the corner post screws as shown. Once this has been completed return to appropriate step of door fitting instructions.

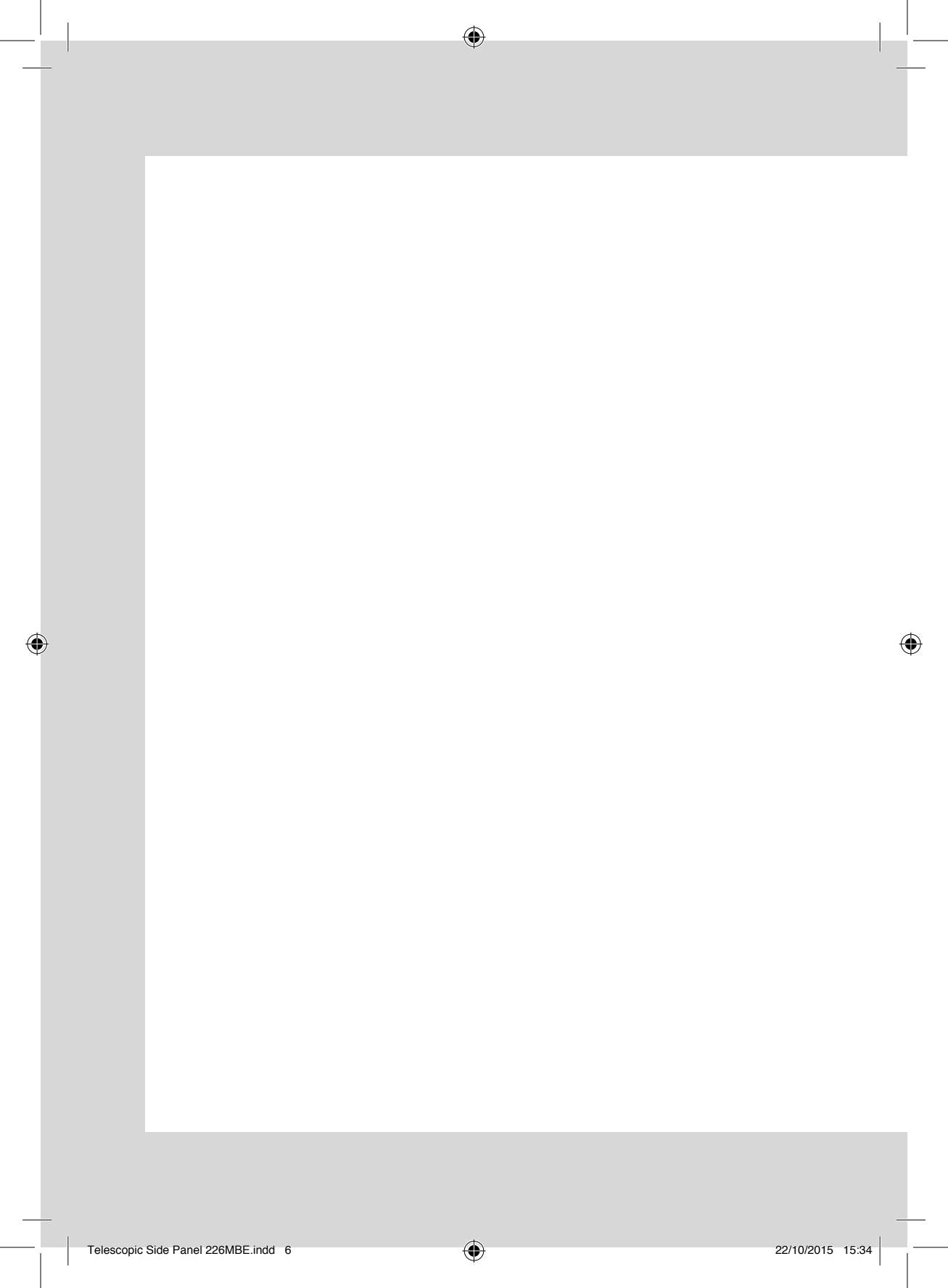
8



Apply a narrow bead of silicone to the outer edge of the side panel wall bracket and side panel only.

Seal around the joining bracket as shown then refer to fitting instructions for the door to finish the sealing of the full enclosure.

You must allow 24 hours for silicone to dry before use.





Product supplied by the MX Group and/or its subsidiaries
Technical Service Line: **0845 505 2211 / 01684 293311** Open Mon–Fri 9am–5pm