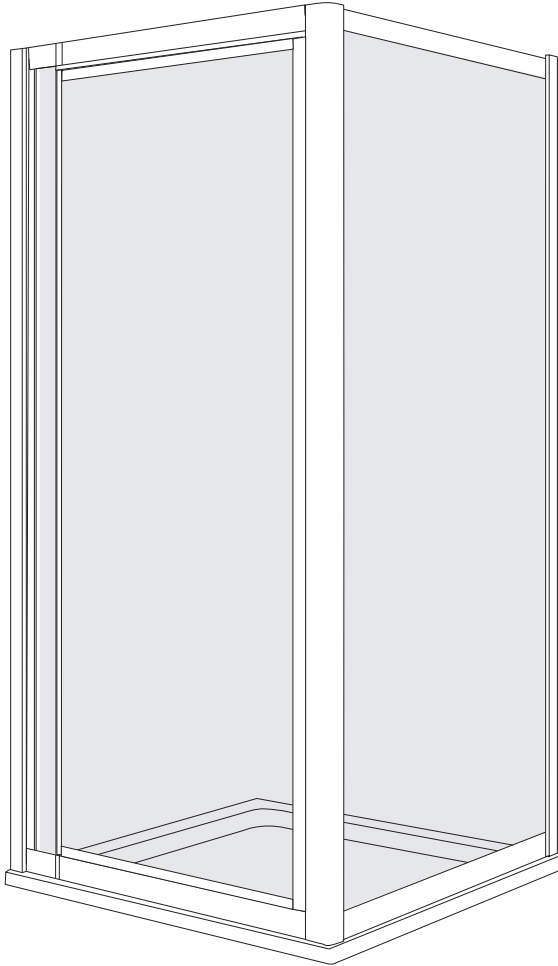


Installation Guide

Telescopic Pivot Door



* Side Panel shown for illustration purposes only.

Before you Start



Please read this Installation Guide fully. Although these instructions are comprehensive we always recommend that a technically competent installer undertake the installation, as incorrect fitting will invalidate the guarantee.

Unpack with care and check that the enclosure is the correct colour, size, shape and type you require. Ensure that you have all the parts listed as supplied and check for any damage. **Do not install if you are not satisfied** and contact your local supplier.



Important

Ensure the location where you wish to fit the enclosure is suitable. Check there are no electrical cables or pipe work behind the wall. Ensure you have a clean dry area to work within before starting.

The fixings provided for this enclosure are for use on solid walls only. If the enclosure is to be fitted on another type of wall such as plasterboard or stud walls, appropriate fixings should be used and additional tools, fixings or materials may be required.

Ensure that the shower tray installed is level and the walls are vertical, as the enclosure will not sit correctly on an uneven surface. The enclosure can also be used in a wetroom subject to the provision of a periphery area that is flat and level.

Once installed do not use the enclosure for 24 hours to allow the silicone to fully dry.



This product is designed to be used with square and rectangular trays only. The adjustment on this enclosure is a nominal 60mm for the frame and 20mm for the wall channels.



This pivot door can also be installed with a side panel. If installing with a side panel please refer to to side panel fitting instructions after stages 2 and 4 of this instruction.



Safety Notes

Please ensure appropriate safety flooring is used as it is normal for spillage to occur when exiting from the shower.

Use safety eyewear and clothing when drilling walls and handling glass. Handle with care, safety glass cannot be re-worked or replaced by ordinary glass.

This product is heavy and requires a 2-person lift.

Keep small parts away from children.



Cleaning

The enclosure must only be cleaned with warm soapy water and a damp cloth or sponge. Abrasive, caustic or scouring products must not be used as these will damage the surfaces of the enclosure.



Technical Help

Technical Service Line: 0845 505 2211 / 01684 293311 Open Mon–Fri 9am–5pm



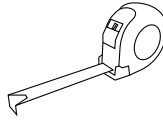
All dimensions shown are in millimetres unless otherwise stated.

Tools and Materials Required

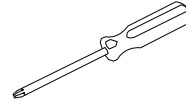
(not supplied)



Spirit Level



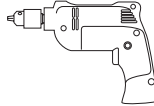
Tape Measure



Screwdriver



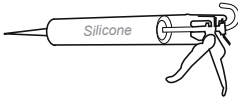
Pencil



Power Drill



Suitable Drill Bits



Silicone Sealant



Utility Knife



Safety Eyewear

Parts Supplied

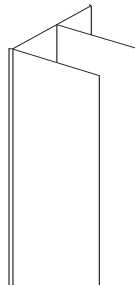
A



Qty 1

Fully Assembled Glass Door

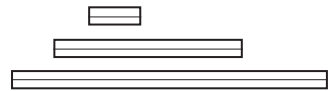
B



Qty 2

Wall Brackets

C



Qty 3

Door Seals and Clip

Parts Supplied

D



Qty 1

Allen Key

E



Qty 6

F



Qty 6

12mm Screws (ref E)
40mm Frame Screws (ref F)

G



Qty 6

Rawl Plugs

H

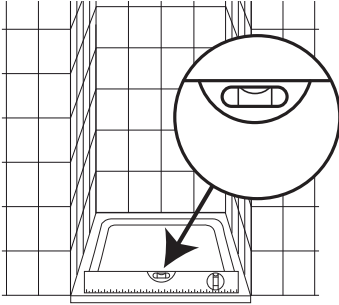


Qty 12

Screw Covers & Caps

Installation

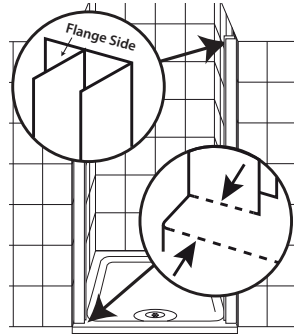
1



Using a spirit level, check that the shower tray is level and that walls are vertical.

The shower tray must have been fully sealed with silicone sealant at least 24 hours prior to installing enclosure.

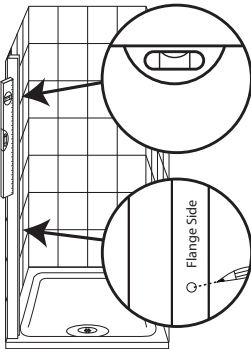
2



Drill three evenly spaced holes into the flange side of each wall bracket **B**. These holes will be used for fixing each bracket to the wall. Position the wall brackets onto the shower tray ensuring a distance of 10mm from the front edge of the tray.

Note: If you are fitting with a side panel ensure one wall bracket is fixed to the far wall as described above.

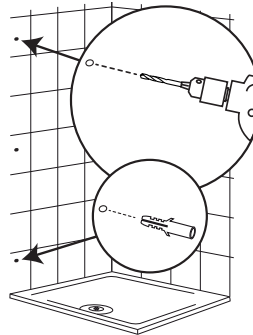
3



Using a spirit level, ensure the wall brackets **B** are straight and positioned vertically, then mark the drill positions through the four fixing holes drilled in Step 2.

Note: The flange side of the wall brackets **B (with the three drilled holes) must be positioned on the inner side of the shower tray.**

4

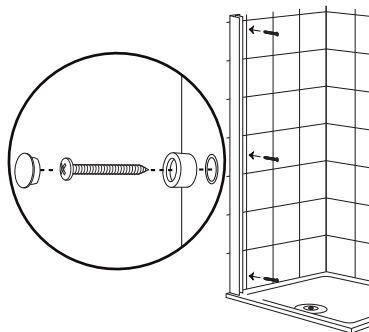


Remove the wall brackets **B** then drill holes in the marked positions on the wall using a 6mm drill bit. Fit the rawl plugs provided **C** (or appropriate fixings for your wall type). We recommend suitable eyewear be worn when drilling walls.

Note: If you are fitting a side panel see separate side panel instructions at this stage.

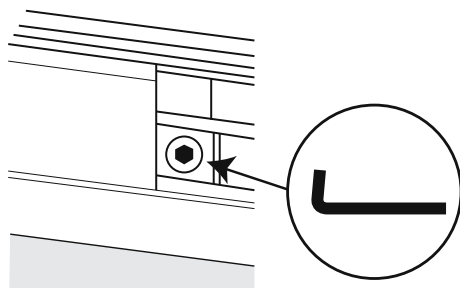
Installation

5



Fix the wall brackets **B** to the wall using the holes in the flange side of each bracket with the six 40mm screws **F** and screw covers **H**. Snap on the screw caps to finish.

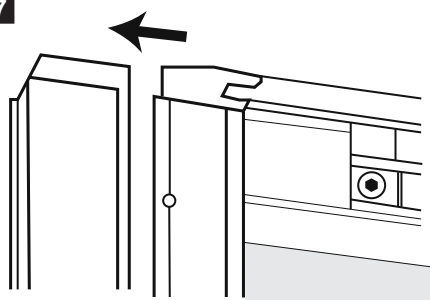
6



Using the allen key supplied **D** loosen the two bolts that are located on the inside of the screen in both upper and lower positions.

Note! Your screen has been supplied with the frame adjustment at its minimum setting.

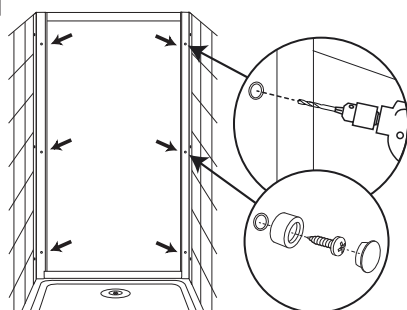
7



Carefully sit the assembled glass door **A** into place on the shower tray. The frame ends slot over the wall bracket. Adjust the screen **A** using the telescopic panel until you are happy with the location.

Once the location has been decided, tighten both allen key bolts up to lock your telescopic panel in position.

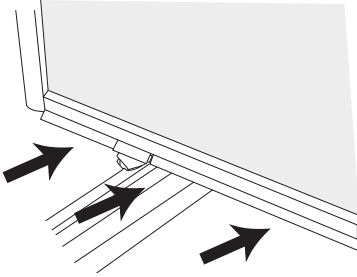
8



Drill three holes in both wall brackets **B** using the pre-drilled holes in the enclosure frame **A** as a guide. Use a 2.5mm drill bit from inside the enclosure, then screw the enclosure assembly through the frame to join to the wall bracket using the six 12mm screws **E** and screw covers **H**, snap caps on to finish.

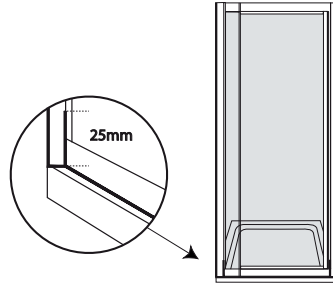
Installation

9



Attach door seals and clips ⑨ into position clipping over hinge then attach long and short water deflector seal by clipping upwards onto door frame. Slide and clip to join together.

10



Apply a narrow bead of silicone to outer edge of wall brackets ⑩ on both sides.

Follow around the whole of the bottom of enclosure and 25mm up the join of the wall bracket. Apply to the outside only.

You must allow 24 hours for silicone to dry before use.

