



Brassware

Mono Basin Taps



Before you Start

These instructions contain all the necessary installation information for your MX Brassware.

Please read these instructions carefully and check all the components for any sign of damage before starting your installation.

The installation must be carried out by a suitably competent person.

Conveniently situated service valves to each inlet supply must be fitted as an independent method of isolating the tap for maintenance or servicing.

Please note that you will require a 1/2" male connector (NOT SUPPLIED)

To comply with water regulations isolating valve should be fitted to the pipe work.

This enables each supply to be independently isolated for servicing.

Operating Pressure (Bar)

	Min	Max
Mono Mixer	0.2	5.0

Maximum static water pressure 10 bar.

Maximum hot water temperature of 65°C as this meets all normal requirements.

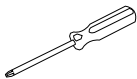
Technical Help

Technical Service Line: 0845 505 2211 / 01684 293311 Open Mon–Fri 9am–5pm

Tools and Materials Required **(not supplied)**



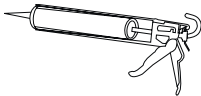
Pencil



Screwdriver



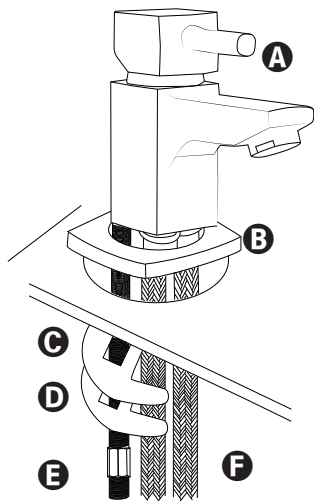
Adjustable Spanner



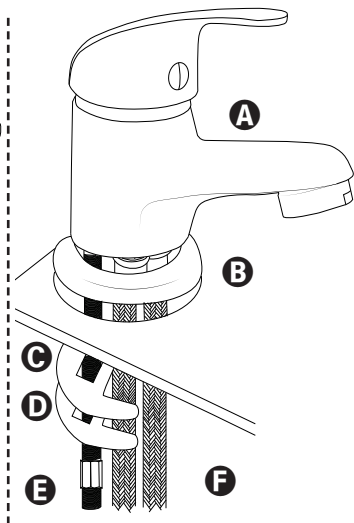
Silicone Gun

Parts Supplied - 1/2" Mono Basin Tap

Option 1



Option 2



A Tap x 1

B Plinth with seal x 1

C C Shaped Rubber Washer x 1

D C Shaped Metal Washer x 1

E Threaded Stud x 1

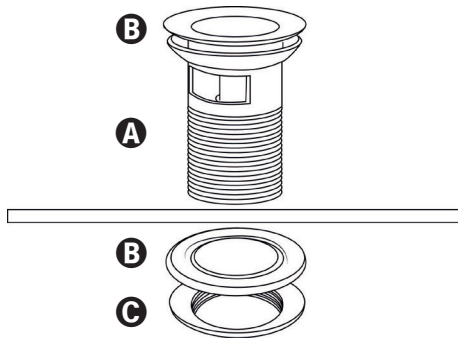
F Flexible Pipes x 2

Installation – 1/2" Mono Basin Tap

- 1** Before proceeding with the installation check all the components are present and not damaged (see page parts supplied).
- 2** Screw the threaded stud **E** into the tap body **A** (short threaded end).
- 3** Install tap **A** to basin ensuring the plinth with seal **B** is fitted correctly.
- 4** Assemble C shaped rubber washer **C** and the C shaped metal washer **D** to the threaded stud **E** and secure using the nut and tighten using suitable spanner.
- 5** Screw the two flexible pipes **F** into the tap **A** (Note do not over tighten). Connect both hot and cold supplies to flexible pipes.
- 6** Turn on water supplies and check for leaks.
- 7** Lift handle to turn on, hot to the left, cold to the right.

Note! Other tools and materials may be needed depending on the specific site requirements.

Parts Supplied - Click Clack Waste



A Waste x 1

B Washer x 2

C Backnut x 1

Installation – Click Clack Waste

- 1** Remove backnut **C** and one washer **B** from waste thread.
- 2** Install waste **A** to basin.
- 3** Using washer **B** and backnut **C** assemble the waste **A** to the basin by tightening the backnuts **C**. A suitable spanner maybe required.
- 4** To open and close the waste **A** push down on the centre of the waste **A**.
- 5** Check for leaks with the waste closed and open.

Note: Silicone may be required to improve the seal.

Note! Other tools and materials may be needed depending on the specific site requirements.



Marleton Cross Limited Trading as **The MX Group**
Alpha Close, Delta Drive, Tewkesbury Industrial Estate, Tewkesbury, Glos. GL20 8JF.
www.mx-group.com email: sales@mx-group.com
655TY_11_16_CH

Product supplied by the MX Group and/or its subsidiaries
Technical Service Line: 0845 505 2211 / 01684 293311 Open Mon–Fri 9am–5pm