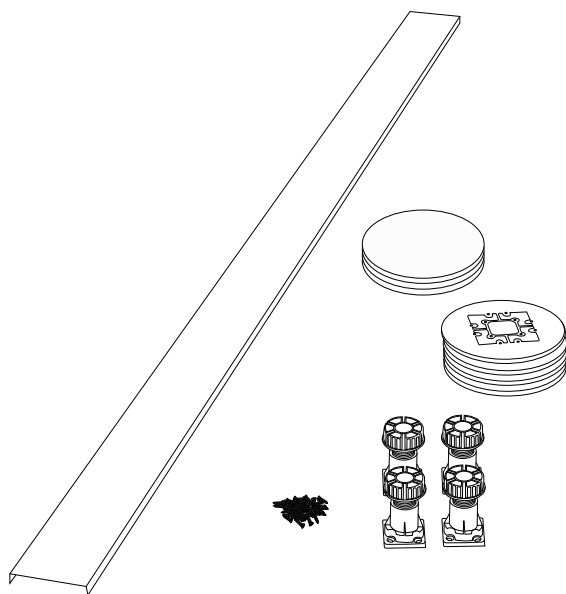


Extension Set for Panel Riser Kit

Option 1



For use with Panel Riser Kit (Option 1) for shower trays with one or more dimensions longer than 1200mm and up to 2000mm in length.

Refer to the Installation Instructions supplied with the main riser pack.

Parts Supplied

1



Qty 1

2000mm Straight Panel

2



Qty 4

Leg Mounting Brackets

3



Qty 4

Threaded Leg Tubes

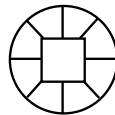
4



Qty 16

Leg Fixing Screws

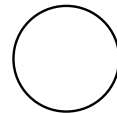
5



Qty 4

Circular Base Plates

6



Qty 4

Circular Adhesive Pads

Product supplied by the MX Group and/or its subsidiaries
Technical Service Line: **0845 505 2211 / 01684 293311** Open Mon–Fri 9am–5pm