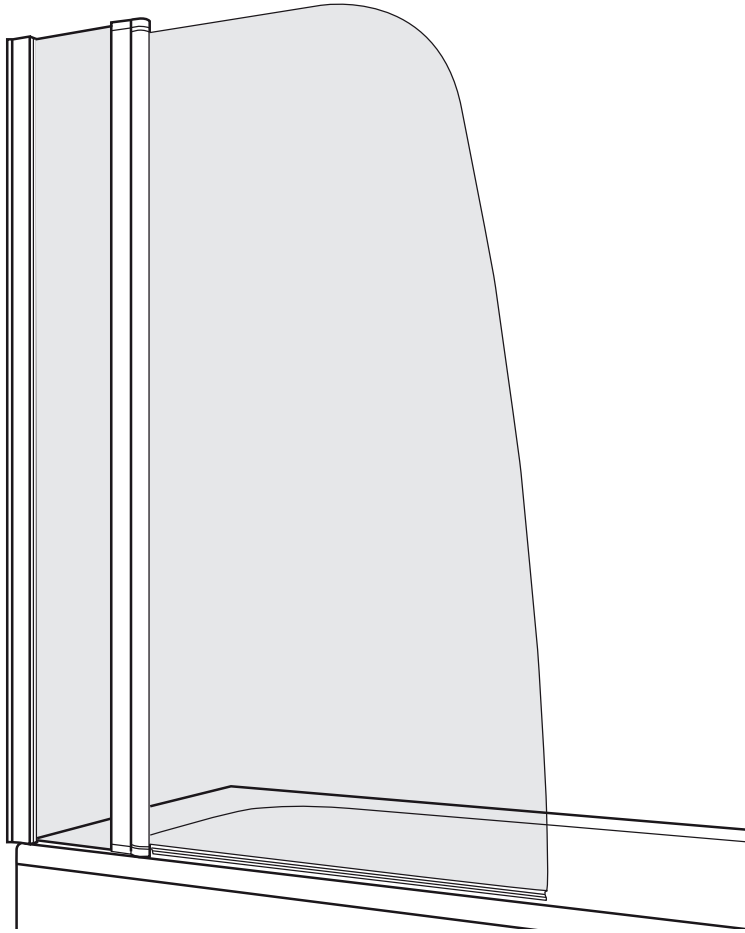


# Installation Guide

## Double Panel Sail Bathscreen



# Before you Start



Please read this installation guide fully. Although these instructions are comprehensive we always recommend that a technically competent installer undertake the installation, as incorrect fitting will invalidate the guarantee.

Unpack with care and check that the bathscreen is the correct colour, size, shape and type you require. Ensure that you have all the parts listed as supplied. Check for any damage, do not install if you are not satisfied and contact your local supplier.

Check there are no electrical cables or pipe work behind the wall where you wish to install the screen.

Ensure you have a clean dry area to work within before installing.



## Important

The fixings for this bathscreen provided are for use on solid walls only. If the enclosure is to be fitted on another type of wall such as plasterboard or stud walls, appropriate fixings should be used.

Ensure the location you wish to fit the screen is suitable before installing. Ensure the screen is fitted to a level wall and the bath is level and stable in all directions.

Check that the rim of the bath slopes inwards so water can run back into the bath from the screen.

Check that there are no obstructions in the path of the screen so it has room to fully swivel on its hinges.

This bathscreen is designed as a splash guard. Spillage will occur and we recommend the use of appropriate safety flooring.

Once installed do not use the enclosure for 24 hours to allow the silicone to fully dry.

The adjustment on this bathscreen is 25mm.



## Safety Notes

Use safety eyewear and clothing when drilling walls and handling glass. Handle with care, safety glass cannot be re-worked or replaced by ordinary glass.

This product is heavy and requires a 2-person lift.

Keep small parts away from children.



## Cleaning

The bathscreen must only be cleaned with warm soapy water and a damp cloth or sponge. Abrasive, caustic or scouring products must not be used as these will damage the surfaces of the screen.



## Technical Help

Technical Service Line: 0845 505 2211 / 01684 293311 Open Mon–Fri 9am–5pm



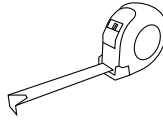
All dimensions shown are in millimetres unless otherwise stated.

# Tools and Materials Required

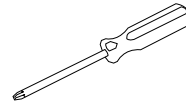
(not supplied)



Spirit Level



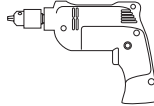
Tape Measure



Screwdriver



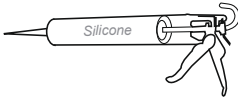
Pencil



Power Drill



Suitable Drill Bits



Silicone Sealant



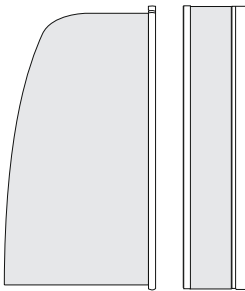
Utility Knife



Safety Eyewear

# Parts Supplied

**A**



Qty 1

Bathscreen and Side Panel

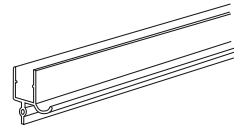
**B**



Qty 1

Wall Bracket

**C**



Qty 1

Lower Seal

# Parts Supplied

**D**



Qty 1

2.5mm Drill Bit

**E**



Qty 3

10mm Screws

**F**



Qty 4

34mm Screws

**G**



Qty 4

Rawl Plugs

**H**



Qty 3

Screw Covers and Caps

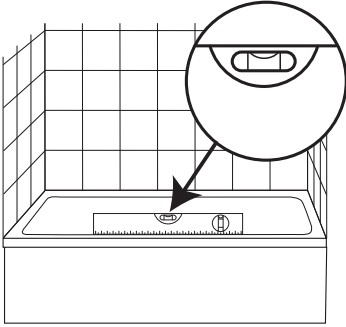


Qty 2

Hinge Caps and Screws

# Installation

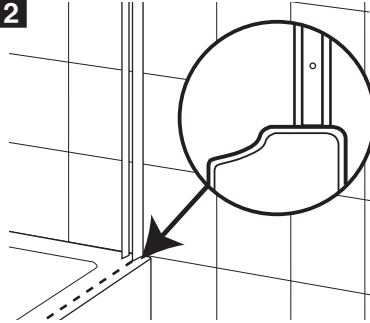
1



Check bath is level and walls are vertical with a spirit level.

The bath must have been fully sealed with silicone sealant at least 24 hours prior to installing bathscreen.

2

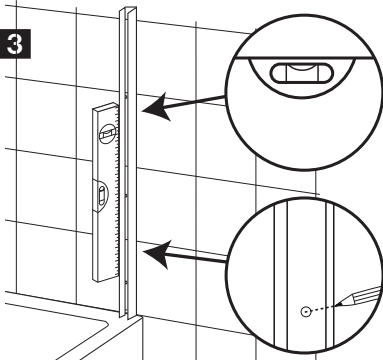


Drill four evenly spaced fixing holes in wall bracket **B** then position the wall bracket onto the bath so the outer edge lines up with the outside edge of the bath rim.

This is important as this position allows the water to flow directly off the screen and into the bath.

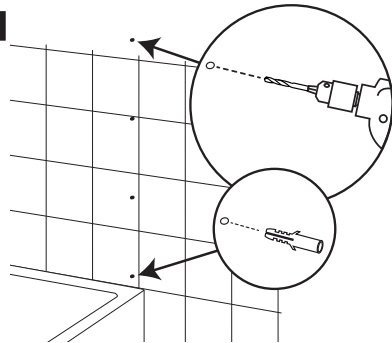
**Note! Failure to line bracket to outer edge can result in seal failing to contact bath.**

3



Using a spirit level, ensure the wall bracket **B** is straight and positioned vertically, then mark drill positions on wall through the four fixing holes.

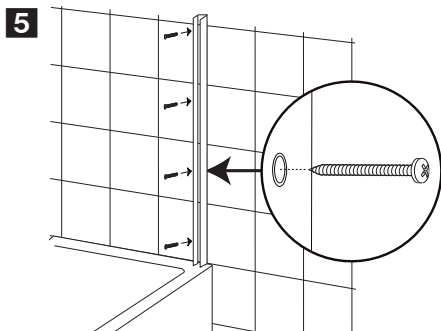
4



Remove the wall bracket **B** from wall, drill holes in marked position using a 6mm drill bit then fit rawl plugs **C** provided (or appropriate fixings for your wall type).

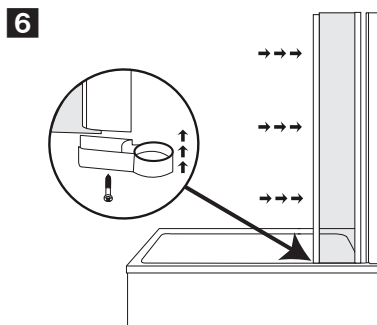
**NOTE: We recommend suitable safety eyewear be worn when drilling walls.**

# Installation



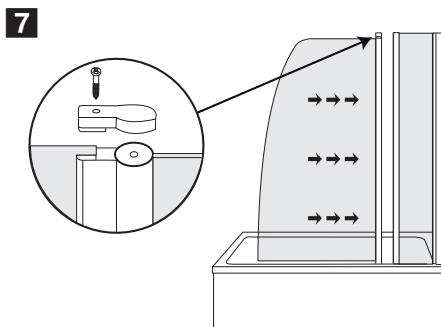
Fix the wall bracket **B** in position using the four 34mm screws **F** provided.

**DO NOT over tighten.**



Lift the side panel **A** onto bath and slide into fixed wall bracket ensuring the position is satisfactory.

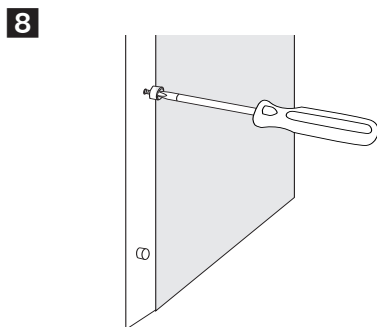
Attach bottom hinge cap **I** to the side panel using screw provided as shown.



Lift the bathscreen **A** onto bath and fix into side panel ensuring the position is satisfactory.

Attach bathscreen to side panel at top hinge point using the hinge cap and screw provided.

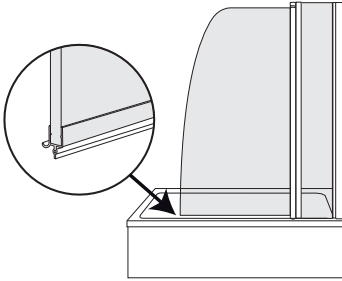
The gap between the glass and the bath must be even all the way along the bottom edge of the glass check this using a tape measure.



Once you are happy with the positioning of the screen, drill through the three pre-drilled holes in the wall bracket then screw the screen assembly to the wall bracket using the three 10mm screws **E** covers and then add the caps **H**.

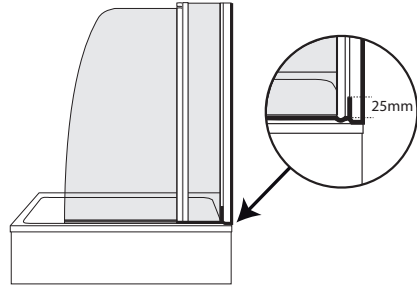
# Installation

9



Attach the lower water deflector seal **9** to the bath screen glass ensuring the small gutter is facing the inside edge of bath. This will ensure correct directional water drainage.

10



Apply a narrow bead of suitable silicone sealant on both inner and outer sides of the wall bracket **10**.

Apply around the outer lower wall bracket and hinge and 25mm up between the wall brackets joint on the outer side of screen. The inner side of the hinge must remain unsealed to ensure the water can drain back into the bath.

**You must allow 24 hours for silicone to dry before use.**

