



Brassware

Thermostatic Bath Mixer With Shower Kit



100815JM

Before you Start



These instructions contain all the necessary installation information for your MX Brassware.



Please read these instructions carefully and check all the components for any sign of damage before starting your installation.

The installation must be carried out by a suitably competent person.

To comply with water regulations isolating valve should be fitted to the pipe work.

This enables each supply to be independently isolated for servicing.

Operating Pressures (Bar)



Bath Shower Mixer 0.2 to 5.0

Balanced inlet supply pressures are recommended for optimum performance of the shower mixer.

Maximum static water pressure 10 bar.

Maximum hot water temperature of 65°C as this meets all normal requirements.



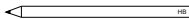
Technical Help

Technical Service Line: 0845 505 2211 / 01684 293311 Open Mon–Fri 9am–5pm

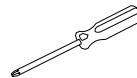
Tools and Materials Required **(not supplied)**



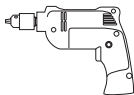
Tap Spanner



Pencil



Screwdriver



Power Drill



Adjustable Spanner



Safety Eyewear



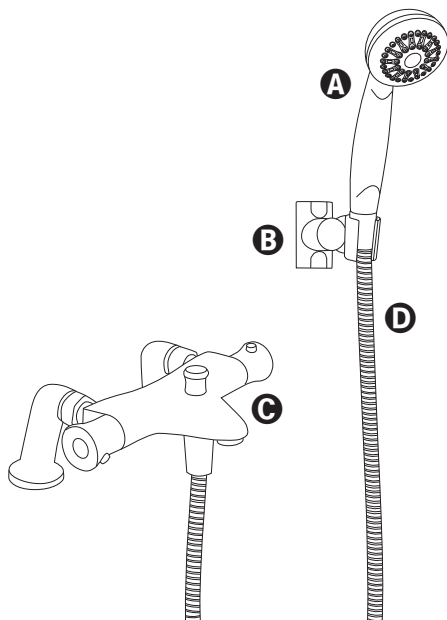
Suitable Drill Bits

Safety Notes

Caution: Prior to drilling walls, check that there are no hidden electrical cables or water pipes. When using power tools do not forget to use safety eyewear and clothing. Unplug power tools when not being used.



Parts Supplied



A Handset x 1

B Wall Bracket x 1

C Mixer Tap x 1

D Hose x 1

Technical Help

Technical Service Line: 0845 505 2211 / 01684 293311 Open Mon–Fri 9am–5pm

Installation – Wall Mounted Bath Shower Mixer With Shower Kit

1 Before proceeding with the installation check all the components are present and not damaged **(see page parts supplied)**.

2 This Thermostatic Mixer Bath Tap is suitable for use with the following water systems:
Gravity Fed, Gas Combination Boiler, Pumped Gravity, Mains Pressure (thermal Store),
Unvented Systems.

Note: If you are fitting this thermostatic Bath Mixer tap to a bath proceed to Section 10.

3 Determine the correct position for the wall mounted Bath Tap with the supply outlets at approximately 150mm centres, and screw the connectors into the wall (1/2" BSP female), not supplied.

Note: Hot on the left and Cold on the right.

4 Screw the shrouds onto the connectors.

5 Before connecting the bath tap, water should be flushed through the system to remove all debris.

Note! Other tools and materials may be needed depending on the specific site requirements.

Installation – Wall Mounted Bath Shower Mixer With Shower Kit

- 6 Handset wall bracket, establish a suitable position for the bracket and fit to wall with fittings supplied.

Note: Before fixing make sure the handset and hose reaches, and there are no cables and pipe work behind the screw holes.

- 7 Fit one end of the shower hose to the mixer outlet and the remaining to the handset making sure both sealing washers are fitted.
- 8 Turn on water supplies and check for leaks.
- 9 To change from bath to shower mode simply use the diverter knob.

Installation – Bath Mounted Bath Shower Mixer With Shower Kit

- 10 Before proceeding with the installation check all the components are present and not damaged (see page parts supplied).
- 11 Assemble the inlet arms to the main body ensuring sealing washer are fitted.
Note: Do Not Overtighten.
- 12 Remove both back nuts and one washer from each of the inlet threads.

Technical Help

Technical Service Line: 0845 505 2211 / 01684 293311 Open Mon–Fri 9am–5pm

Installation – Bath Mounted Bath Shower Mixer With Shower Kit

13 Before connecting the bath tap, water should be flushed through the system to remove all debris.

Note: Hot on the left and Cold on the right.

14 Install bath mixer shower to bath.

15 Using washers and back nuts assemble the bath mixer shower to the bath by tightening the back nuts. A tap spanner maybe required.

16 Connect both hot and cold supplies to inlet thread.

Note: This connections require 3/4 tap connectors not supplied.

17 Handset wall bracket, establish a suitable position for the bracket and fit to wall with fittings supplied.

Note: Before fixing make sure the handset and hose reaches, and there are no cables and pipe work behind the screw holes.

18 Fit one end of the shower hose to the mixer outlet and the remaining to the handset A making sure both sealing washers are fitted.

19 Turn on water supplies and check for leaks.

20 To change from bath to shower mode simply use the diverter knob.

Note! Other tools and materials may be needed depending on the specific site requirements.



Marleton Cross Limited Trading as **The MX Group**
Alpha Close, Delta Drive, Tewkesbury Industrial Estate, Tewkesbury, Glos. GL20 8JF.
www.mx-group.com email: sales@mx-group.com
10_08_15_JM

Product supplied by the MX Group and/or its subsidiaries
Technical Service Line: 0845 505 2211 / 01684 293311 Open Mon–Fri 9am–5pm