

Installation Guide

6mm Semi-frameless Side Panel



Before you Start



Please read this Installation Guide fully. Although these instructions are comprehensive we always recommend that a technically competent installer undertake the installation, as incorrect fitting will invalidate the guarantee.

Unpack with care and check that the enclosure is the correct colour, size, shape and type you require. Ensure that you have all the parts listed as supplied and check for any damage. **Do not install if you are not satisfied** and contact your local supplier.



Important

Ensure the location where you wish to fit the enclosure is suitable. Check there are no electrical cables or pipe work behind the wall. Ensure you have a clean dry area to work within before starting.

The fixings provided for this enclosure are for use on solid walls only. If the enclosure is to be fitted on another type of wall such as plasterboard or stud walls, appropriate fixings should be used and additional tools, fixings or materials may be required.

Ensure that the shower tray installed is level and the walls are vertical, as the enclosure will not sit correctly on an uneven surface. The enclosure can also be used in a wetroom subject to the provision of a periphery area that is flat and level.

Once installed do not use the enclosure for 24 hours to allow the silicone to fully dry.



This product is designed to be used with square or rectangular trays only. The adjustment on this enclosure is 20mm.



Safety Notes

Please ensure appropriate safety flooring is used as it is normal for spillage to occur when exiting from the shower.

Use safety eyewear and clothing when drilling walls and handling glass. Handle with care, safety glass cannot be re-worked or replaced by ordinary glass.

This product is heavy and requires a 2-person lift.

Keep small parts away from children.



Cleaning

The enclosure must only be cleaned with warm soapy water and a damp cloth or sponge. Abrasive, caustic or scouring products must not be used as these will damage the surfaces of the enclosure.



Technical Help

Technical Service Line: 0845 505 2211 / 01684 293311 Open Mon–Fri 9am–5pm



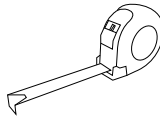
All dimensions shown are in millimetres unless otherwise stated.

Tools and Materials Required

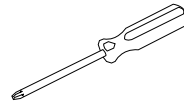
(not supplied)



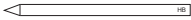
Spirit Level



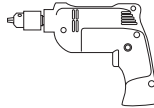
Tape Measure



Screwdriver



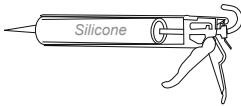
Pencil



Power Drill



Suitable Drill Bits



Silicone Sealant



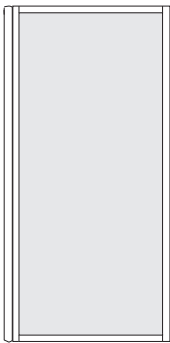
Utility Knife



Safety Eyewear

Parts Supplied

A



Qty 1

Fully Assembled Side Panel

B



Qty 3

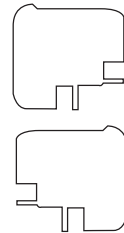
C



Qty 3

12mm Screws (ref B)
Screw Covers & Caps (ref C)

D

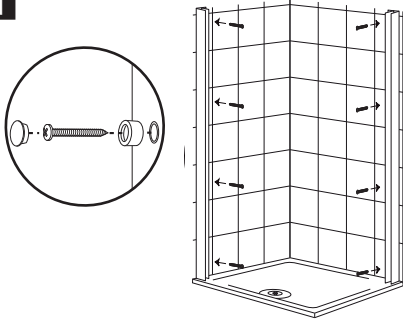


Qty 2

Frame Caps R/H & L/H

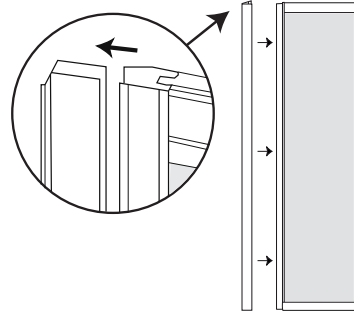
Installation

1



Fix both wall brackets provided with your door in place as directed by the door Installation Guide.

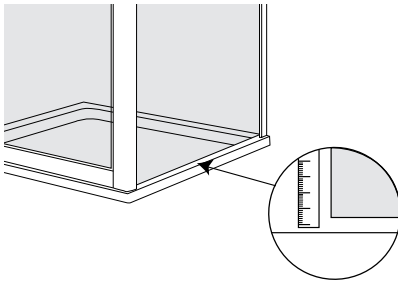
2



Lift side panel into position.

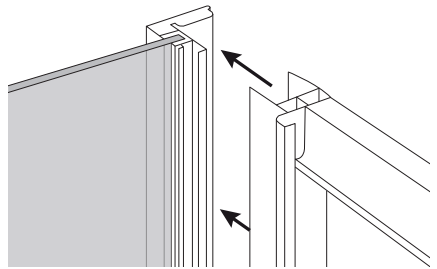
The frame ends slot over the wall brackets as shown.

3



With the door panel also in position, ensure both are at a straight angle across the edge of the shower tray by using a ruler.

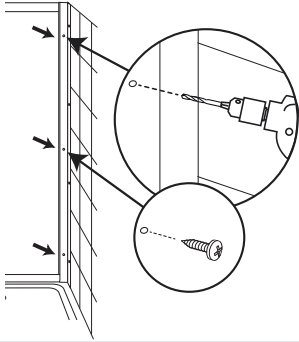
4



Once the door and side panel are in a satisfactory position locate the door profile into the side panel profile as shown.

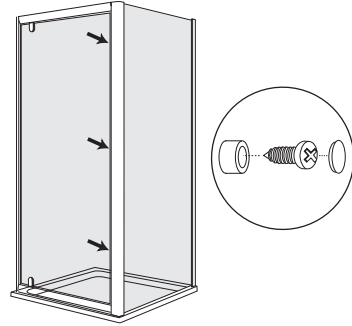
Installation

5



Secure the side panel and door panel to each wall bracket as directed by the door Installation Guide.

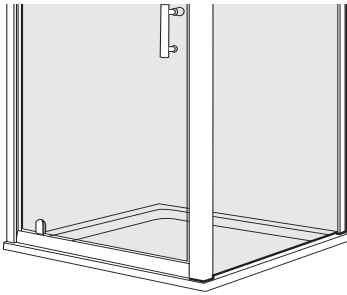
6



Secure door and side panel together using three 12mm **B** screws provided with this pack.

Once this has been completed return to appropriate step of door fitting instructions.

7



Apply a narrow bead of silicone to the outer edge of the side panel wall bracket.

To ensure a full seal, silicone on the INNER SIDE of the glass panel to the tray.

Seal around the joining bracket as shown then refer to door fitting instructions to finish the sealing of the full enclosure.

You must allow 24 hours for silicone to dry before use.

